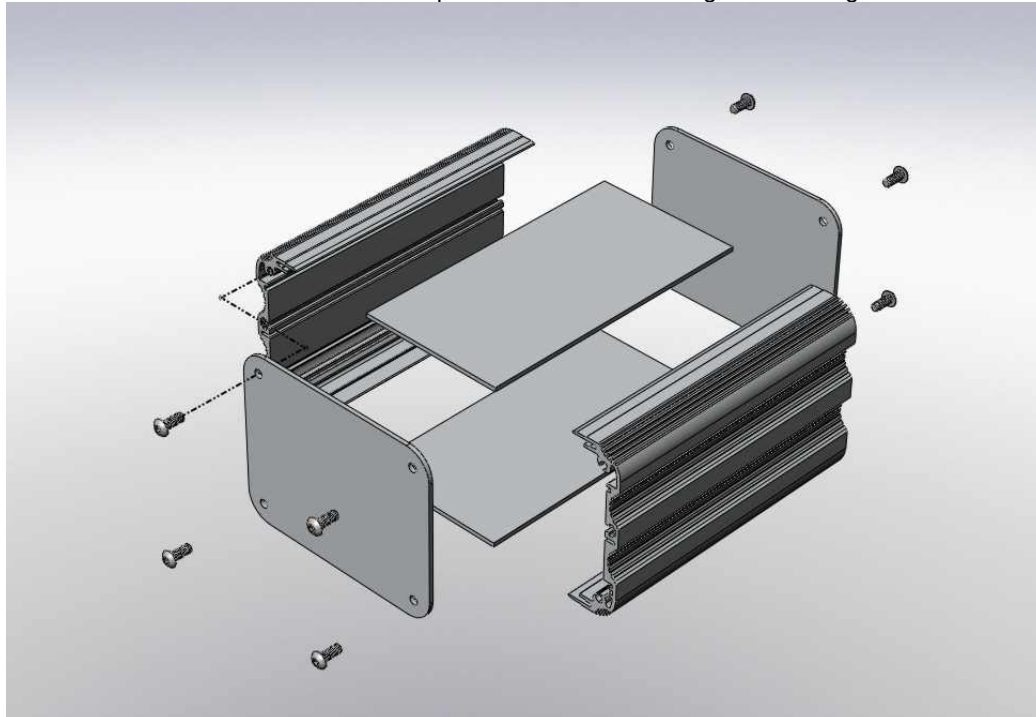


UnioBox 2

Silver or black anodized combination **extruded and sheet aluminium box** to take circuit boards of width 100mm, 128mm, 160mm and 220mm and length 80mm, 120mm, 160mm and 220mm.

The box comprises a pair of extruded aluminium sides of height 82mm which accept an aluminium top and bottom plate to form a box section. Front and rear plates are fixed into the side extrusions using self tapping screws to form the enclosure and retain the top and bottom plates. The maximum height of components on a board mounted in the bottom slot is 55mm. The enclosure could be used as a back box for a 2U 19" rack front.

The box features plenty of height relative to its width and is suitable for higher components like transformers, or will have space for pcb mounted daughter boards or additional boards mounted in the extra slots. The outside of the box features a decorative ribbed pattern which is a UK registered design.



Length Tolerance of extrusion: Nominal length +/-0.3mm e.g. U2S160 is not shorter than 159.7mm and not longer than 160.3mm.

Non-Standard Sizes: Available.

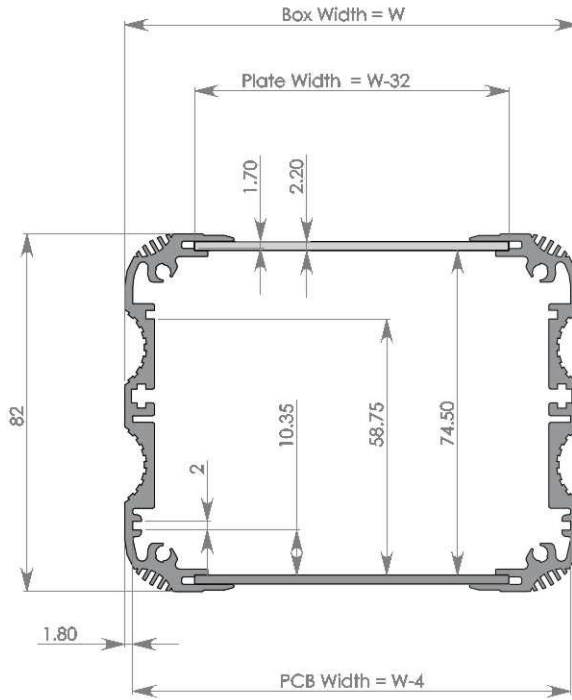
Material of extrusion: Aluminium 6063 T6 (HE9), silver anodized 5µm or black anodized 15µm to BS1615. Linear weight is 1.0 kg/m

Material of end plate: Aluminium 5251 H22 sheet 1.5mm thick clear anodized 5µm or 2mm thick black anodized 15µm.

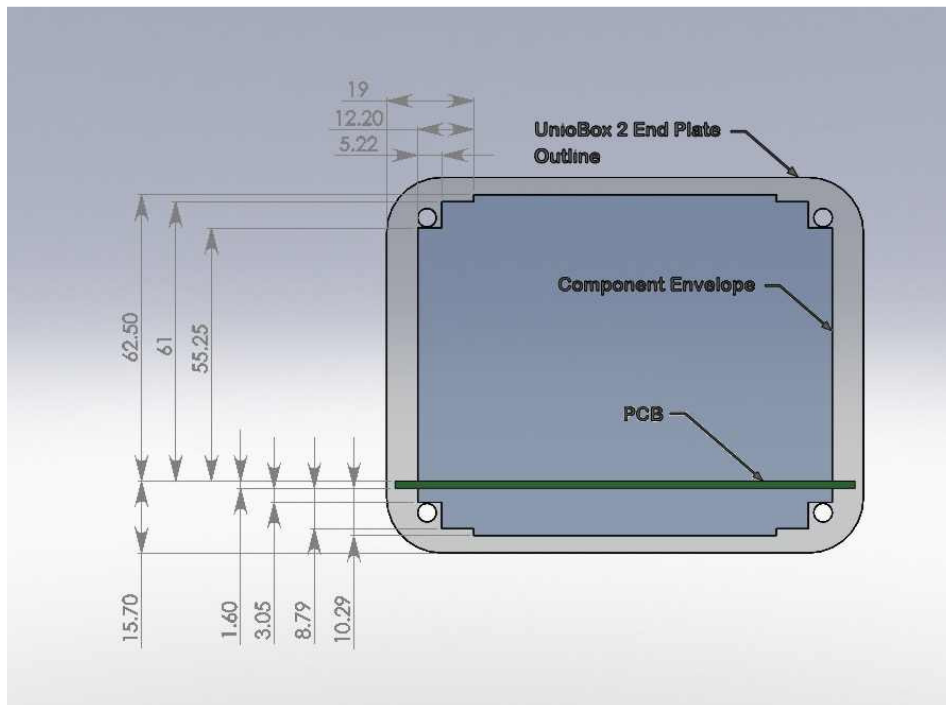
Material of top/bottom plate: Aluminium 5251 H22 sheet 2mm thick clear anodized 5µm or black anodized 15µm.

Screw ports: Nominal diameter 3.6mm to take a No.6 self tapping screw with a 4.2mm major diameter of a type normally used for plastic. The screw ports can be threaded M4 using a thread-rolling tap, but a thread cutting tap will make a weak thread. Alternatively an M4 thread-forming screw can be used to roll its own thread.

UnioBox 2 Dimensions:



UnioBox 2 Envelope Drawing



UnioBox 2 Order Codes:

| PCB size mm | Box Width | Extrusion Length | Order Code Black | Order Code Silver |
|-------------|-----------|------------------|------------------|-------------------|
| 100 x 80 | 104 | 80 | U2B-104x080 | U2S-104x080 |
| 100 x 120 | 104 | 120 | U2B-104x120 | U2S-104x120 |
| 100 x 160 | 104 | 160 | U2B-104x160 | U2S-104x160 |
| 100 x 220 | 104 | 220 | U2B-104x220 | U2S-104x220 |
| 128 x 80 | 132 | 80 | U2B-132x080 | U2S-132x080 |
| 128 x 120 | 132 | 120 | U2B-132x120 | U2S-132x120 |
| 128 x 160 | 132 | 160 | U2B-132x160 | U2S-132x160 |
| 128 x 220 | 132 | 220 | U2B-132x220 | U2S-132x220 |
| 160 x 80 | 164 | 80 | U2B-164x080 | U2S-164x080 |
| 160 x 120 | 164 | 120 | U2B-164x120 | U2S-164x120 |
| 160 x 160 | 164 | 160 | U2B-164x160 | U2S-164x160 |
| 160 x 220 | 164 | 220 | U2B-164x220 | U2S-164x220 |
| 220 x 80 | 224 | 80 | U2B-224x080 | U2S-224x080 |
| 220 x 120 | 224 | 120 | U2B-224x120 | U2S-224x120 |
| 220 x 160 | 224 | 160 | U2B-224x160 | U2S-224x160 |

Box comprises (all items silver or black):

2 x End plates, Top Plate and Bottom Plate, 2 x UnioBox extrusion, 8 x screws.
Screws – 4.2mm x 13 TORX pan head self-tapping screws type AB:

Accessories

Natural aluminium carrier plates the same size as standard circuit boards to slide in the enclosures and be adapted to carry non-standard circuit boards and other fittings. These are simple rectangles of aluminium sheet 1.5mm thick for internal use (i.e. surface finish may not be perfect).

| Carrier size mm | Order Code |
|-----------------|------------|
| 100 x 80 | CN-100080 |
| 100 x 120 | CN-100120 |
| 100 x 160 | CN-100160 |
| 100 x 220 | CN-100220 |
| 128 x 80 | CN-128080 |
| 128 x 120 | CN-128120 |
| 128 x 160 | CN-128160 |
| 128 x 220 | CN-128220 |
| 160 x 80 | CN-160080 |
| 160 x 120 | CN-160120 |
| 160 x 160 | CN-160160 |
| 160 x 220 | CN-160220 |
| 220 x 80 | CN-220080 |
| 220 x 120 | CN-220120 |

CN-160220 can be used lengthways or sideways.

TORX™ is a trademark of Textron Inc. Product and data subject to change without notice. User knows application and must determine fitness for purpose and appropriateness of advice verbal or written. See terms and conditions of sale. © Lincoln Binns Ltd. 2010.