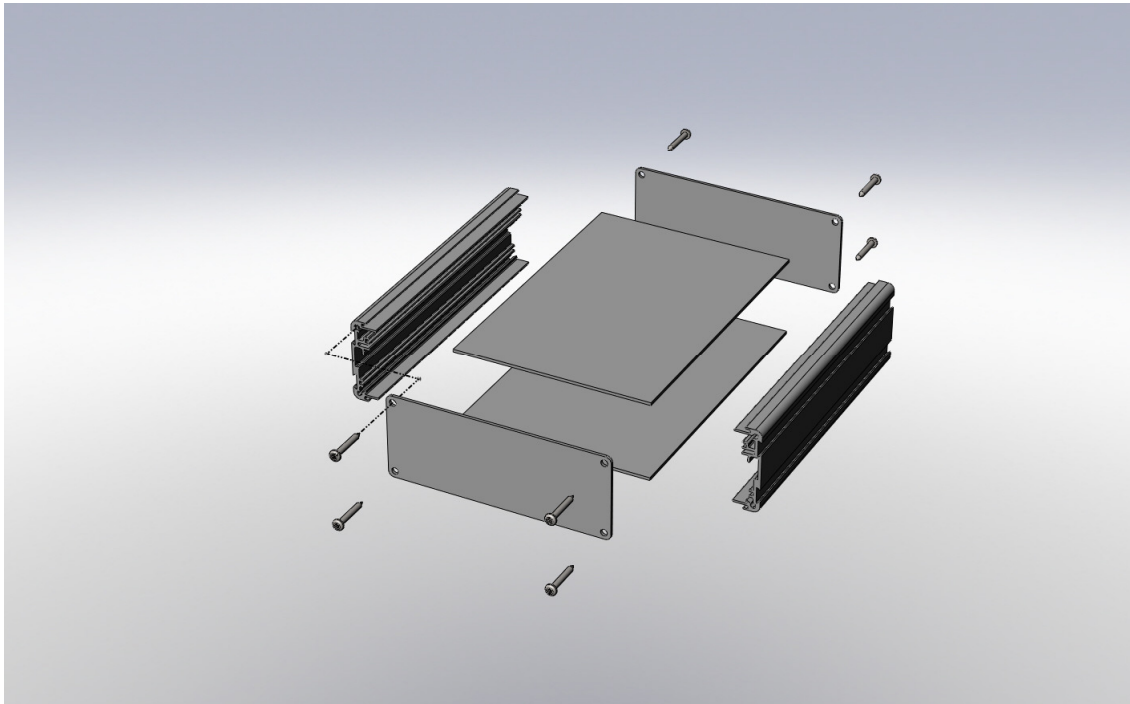


U-Case 1

Silver or black anodized combination **extruded and sheet aluminium box** to take circuit boards of width 100mm, 128mm, 160mm and 220mm and length 80mm, 120mm, 160mm and 220mm.

The box comprises a pair of extruded aluminium sides of height 44mm which accept an aluminium top and bottom plate to form a box section. Front and rear plates are fixed into the side extrusions to form the enclosure and retain the top and bottom plates. The maximum height of components on a board mounted in the bottom slot is 32mm. The enclosure could be used as a back box for a 1U 19" rack front.

The box was originally designed for a specific application, but some extra flexibility has been incorporated. Internally it features assorted slots and a bracket for optionally holding a standard size hard drive. There is an image with the hard drive on the website. The outside of the box features a pair of dovetail slots which will accept a Linc-lug mounting bracket.



Length Tolerance of extrusion: Nominal length +/-0.3mm e.g. U1S160 is not shorter than 159.7mm and not longer than 160.3mm.

Non-Standard Sizes: Available.

Material of extrusion: Aluminium 6063 T6 (HE9), silver anodized 5µm or black anodized 15µm to BS1615. Linear weight is 0.40 kg/m.

Material of end plate: Aluminium 5251 H22 sheet 1.5mm thick clear anodized 5µm or black anodized 15µm.

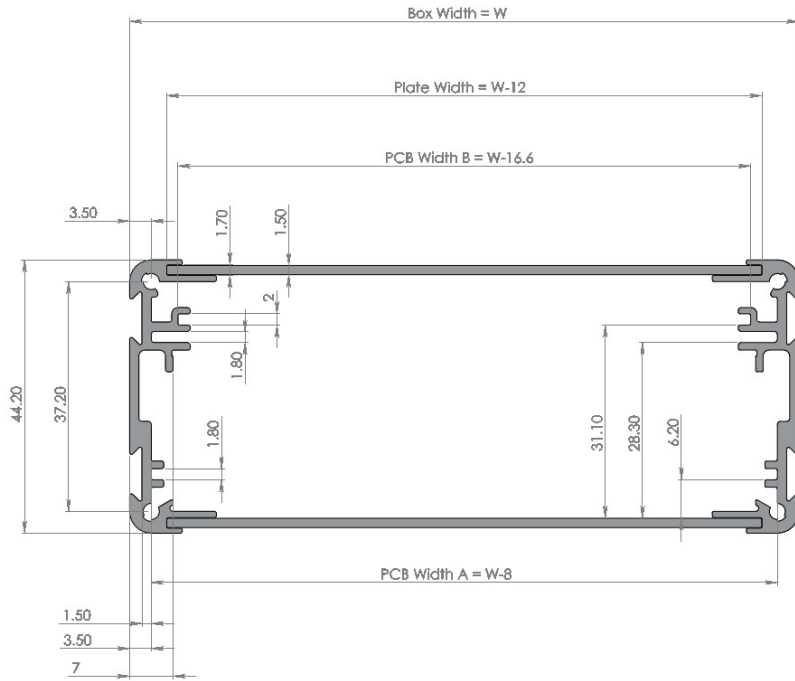
Material of top/bottom plate: Aluminium 5251 H22 sheet 1.5mm thick clear anodized 5µm or black anodized 15µm.

Screw ports: Nominal diameter 2.7mm to take a No.4 self tapping screw with a 3.0mm major diameter of a type normally used for plastic. The screw ports can be threaded M3 using a thread-rolling tap, but a thread cutting tap will make a weak thread. Alternatively an M3 thread-forming screw can be used to roll its own thread.

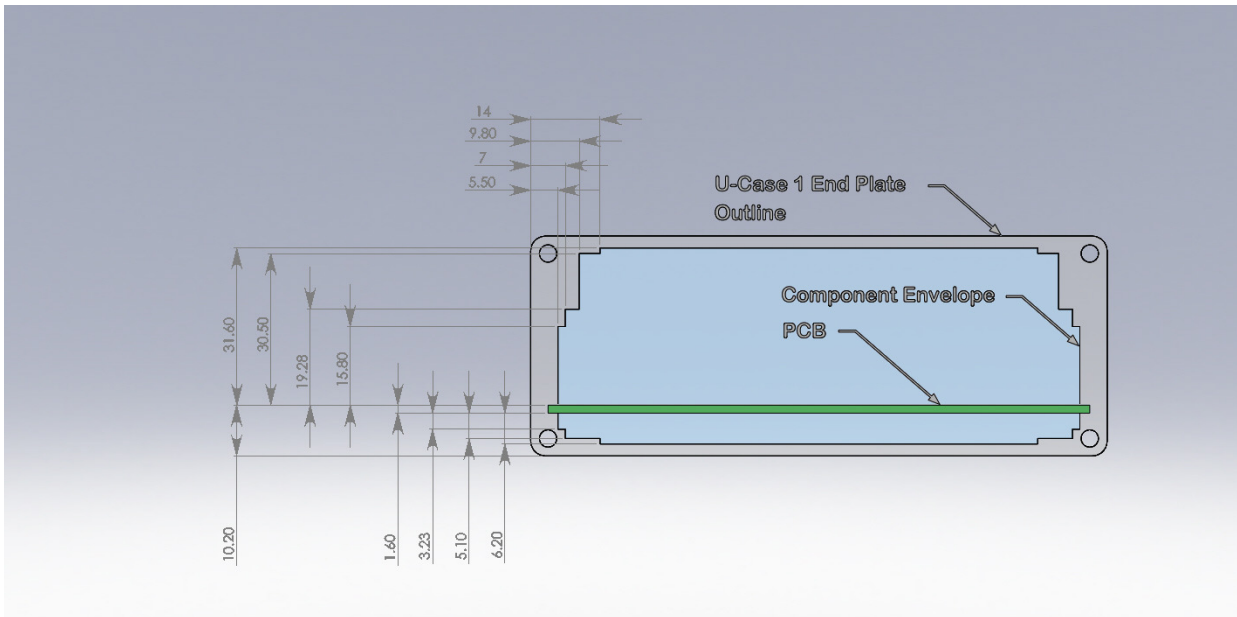
Lincoln Binns Ltd. Oakendene Estate, Cowfold, West Sussex RH13 8AZ, UK

Tel: +44 (0)1403 865400 Fax: +44 (0)1403 865407 Website: www.panel-print.com

U-Case 1 Dimensions:



U-Case 1 Envelope Drawing



U-Case 1 Order Codes:

PCB size mm	Box Width	Extrusion Length	Order Code Black	Order Code Silver
100 x 80	108	80	U1B-108x080	U1S-108x080
100 x 120	108	120	U1B-108x120	U1S-108x120
100 x 160	108	160	U1B-108x160	U1S-108x160
100 x 220	108	220	U1B-108x220	U1S-108x220
128 x 80	136	80	U1B-136x080	U1S-136x080
128 x 120	136	120	U1B-136x120	U1S-136x120
128 x 160	136	160	U1B-136x160	U1S-136x160
128 x 220	136	220	U1B-136x220	U1S-136x220
160 x 80	168	80	U1B-168x080	U1S-168x080
160 x 120	168	120	U1B-168x120	U1S-168x120
160 x 160	168	160	U1B-168x160	U1S-168x160
160 x 220	168	220	U1B-168x220	U1S-168x220
220 x 80	228	80	U1B-228x080	U1S-228x080
220 x 120	228	120	U1B-228x120	U1S-228x120
220 x 160	228	160	U1B-228x160	U1S-228x160

Box comprises (all items silver or black):

2 x End plates, Top Plate and Bottom Plate, 2 x U-Case extrusion, 8 x screws.

Screws – 3.0 x 10 Posi-pan head self-tapping screws type AB:

Accessories

Natural aluminium carrier plates the same size as standard circuit boards to slide in the enclosures and be adapted to carry non-standard circuit boards and other fittings. These are simple rectangles of aluminium sheet 1.5mm thick for internal use (i.e. surface finish may not be perfect). LSS40 and LSS80 (silver) or LSB40 and LSB80 (black) Linc-Lug wall mounting brackets will fit in the dovetail slots.

Carrier size mm	Order Code
100 x 80	CN-100080
100 x 120	CN-100120
100 x 160	CN-100160
100 x 220	CN-100220
128 x 80	CN-128080
128 x 120	CN-128120
128 x 160	CN-128160
128 x 220	CN-128220
160 x 80	CN-160080
160 x 120	CN-160120
160 x 160	CN-160160
160 x 220	CN-160220
220 x 80	CN-220080
220 x 120	CN-220120

CN-160220 can be used widthways or lengthways

TORX™ is a trademark of Textron Inc. Product and data subject to change without notice. User knows application and must determine fitness for purpose and appropriateness of advice verbal or written. See terms and conditions of sale.

© Lincoln Binns Ltd. 2011.